

# SureBuilt Manufacturing



# SHORING

## PRODUCT LIST PRICE



**SHORING AND ACCESSORIES COMPATIBLE WITH 10K SYSTEMS**

**UNI-LOAD FRAMES - NON-LOAD BEARING LEDGER**

PART #	SIZE	"Z-DIM" LOCK SPACING	WT./EA.	PRICE/EA.
SBSF23	2' x 3'	2'	25.00	\$85.00
SBSF24	2' x 4'	3'	37.00	\$85.00
SBSF25	2' x 5'	4'	45.00	\$96.00
SBSF26	2' x 6'	4'	58.00	\$100.00
SBSF43	4' x 3'	2'	34.00	\$96.00
SBSF44	4' x 4'	3'	46.00	\$96.00
SBSF45	4' x 5'	4'	54.00	\$102.00
SBSF46	4' x 6'	4'	67.00	\$117.00

Standard packaging: 25/bundle

**UNI-LOAD FRAMES - LOAD BEARING LEDGER**

PART #	SIZE	"Z-DIM" LOCK SPACING	WT./EA.	PRICE/EA.
SB4245-00	4' x 5'	4'	66.0	\$180.00
SB4246-00	4' x 6'	4'	74.0	\$190.00

Standard packaging: 25/bundle

**DOUBLE HOLE ANGLE CROSS BRACES**

PART #	DESCRIPTION	LOCK SPACING	WT./EA.	PRICE/EA.
SB0244-04	3' & 4' x 4'	3' & 4'	11.00	\$22.00
SB0244-05	3' & 4' x 5'	3' & 4'	13.10	\$25.00
SB0244-06	3' & 4' x 6'	3' & 4'	15.00	\$27.00
SB0244-07	3' & 4' x 7'	3' & 4'	16.70	\$30.00
SB0244-08	3' & 4' x 8'	3' & 4'	18.40	\$33.00
SB0244-10	3' & 4' x 10'	3' & 4'	22.00	\$38.00

Standard packaging: 100/bundle

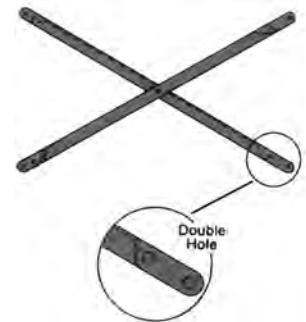
Single Hole Angle and Tubular Cross Braces available upon request. P.O.A.

**HEADS - PLATES - SCREW**

PART #	DESCRIPTION	WEIGHT	PRICE/EA.
SB4510-88	8" x 8" Bypass U Head	12.8	\$30.00
SB4510-89	8" x 9" U Head	14.0	\$24.00
SB4720-00	Leg Plate	8.0	\$16.50
SB4721-00	Base Plate for Screw	8.0	\$16.50
SB4624-00	Screw Only for Use w/Interchangeable Heads	10.5	\$34.00

Standard packaging: 100/skid

Imported products are available upon request. P.O.A.



U Head



Bypass U Head

**SHORING AND ACCESSORIES COMPATIBLE WITH 10K SYSTEMS**



ACCESSORIES			
PART #	DESCRIPTION	WEIGHT	PRICE/EA.
SBSFC	Connector	2.0	\$3.50
SBSR/S	5/8" x 3" Drilled Rivet	0.3	\$0.80
SBHP/S	Hitch Pin for Drilled Rivet	1.7	\$0.30
SB004431	Nailing Plate for Shore Staff	1.5	\$4.00
SBSNP	Nailing Plate for Frame Legs	1.5	\$4.00

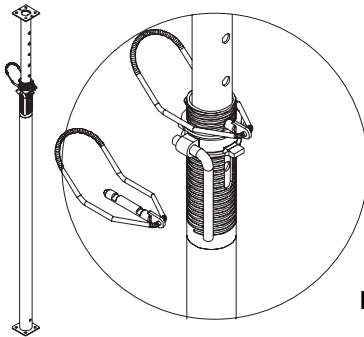


Standard packaging: each. Hitch Pin Standard packaging: 100/carton

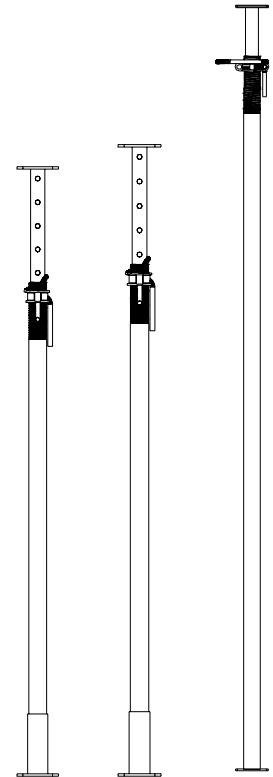
**QUICK RELEASE POST-SHORE**

The Quick Release Post Shore is a single piece load carrying device with a built-in adjustment feature to facilitate handing without sacrificing convenience. It can be used by itself or in combination with shoring frame system.

- Safety factor of 3:1
- Fitted with quick release stripping pin for easy assembly and dismantling
- Hot dip galvanized comes standard



Post Shore With Stripping Pin



Type: 300 350 550

**QUICK RELEASE POST-SHORE**

PART #	MIN. HEIGHT	MAX. HEIGHT	TYPE	WEIGHT	PRICE/EA.
SBPS300DD	5'-6"	9'-10"	300	42.00	\$100.00
SBPS350DD	6'-5"	11'-5"	350	51.00	\$144.00
SBPS550DD	9'-10"	18'-0"	550	74.00	\$188.00

Imported products are available upon request. P.O.A.

**LOAD CHARTS**

**350 LOAD CAPACITIES\***

HEIGHT	6'-6"	7'-0"	7'-6"	8'-0"	8'-6"	9'-0"	9'-6"	10'-0"	10'-6"	11'-0"	11'-6"
LOAD (lb)	6,445	6,445	6,445	6,445	6,445	6,445	6,445	5,600	5,170	4,400	3,860

**550 LOAD CAPACITIES\***

HEIGHT	10'-0"	10'-6"	11'-0"	11'-6"	12'-0"	12'-6"	13'-0"	13'-6"	14'-0"	14'-6"	15'-0"
LOAD (lb)	9,367	8,800	8,176	7,475	6,903	6,353	5,815	5,316	4,880	4,490	4,160
HEIGHT	15'-6"	16'-0"	16'-6"	17'-0"	17'-6"	18'-0"					
LOAD (lb)	3,859	3,575	3,340	3,133	2,924	2,732					

\* - Safety Factor 3:1. Post shores must be braced or restrained from lateral movement by other means.

## LIMITED WARRANTY

Surebuilt Manufacturing (hereafter known as Supplier) warrants that the Supplier of concrete accessory products sold to Purchaser will be free from defects in materials and workmanship for a period of six (6) months from the date of delivery, and the Supplier will repair, or in its sole discretion, replace, any Product or part thereof found to be defective at the time of delivery if such Product or part is returned (at Purchaser's expense and risk) and received by the Supplier within ten (10) days after the applicable warranty period. Descriptions, representations and other information concerning the Supplier contained in the Supplier's catalogs, advertisements or other promotional materials or statements or representations made by the Supplier's sales agents or representatives shall not be binding upon the Supplier and shall not be part of this limited warranty unless expressly identified in writing as PRODUCT SPECIFICATIONS.

This limited warranty does not cover normal maintenance, or items consumed during installation or normal operations, normal wear and tear, use under circumstances exceeding specifications, use for purposes other than the use for which the Products were intended, abuse, unauthorized repair or alteration, improper installation, failure to follow the Supplier's printed instructions, guidelines and recommendations for installation and use, lack of proper maintenance or damage caused by natural causes such as fire, storm, or flood. Purchaser shall determine the suitability of the Product for his intended use and Purchaser assumes all liabilities and risks whatsoever in connection therewith.

This limited warranty is Purchaser's exclusive remedy. It shall not be deemed to have failed of its essential purpose so long as the Supplier is willing and able to repair or replace defective products or parts thereof in the manner specified. No allowance will be made or repairs made by Purchaser.

Except as herein provided, the Supplier shall not be liable to Purchaser in any manner with respect to the Products. In no event shall the Supplier liability to Purchaser ever exceed the purchase price of the allegedly defective Product. Except as herein provided, the Supplier shall not be liable for transportation, labor or other charges for adjustments, repairs, replacements of parts, installation, or other work, which may be done upon or in connection with the Products sold.

THE SUPPLIER SHALL NOT IN ANY EVENT BE LIABLE FOR INCIDENTAL OR CONSEQUENTIAL DAMAGES OF ANY NATURE WHATSOEVER, INCLUDING LOST PROFITS, whether arising from any defect in the Products, any use of the Products, from Purchaser's inability to use the Products, or otherwise. This limited warranty applies to only products made by the Supplier.

NO OTHER EXPRESS AND NO IMPLIED WARRANTIES OF ANY TYPE, WHETHER FOR MERCHANTABILITY, FITNESS FOR A PARTICULAR USE, OR OTHERWISE, OTHER THAN THOSE EXPRESSLY SET FORTH ABOVE (WHICH ARE MADE EXPRESSLY IN LIEU OF ALL OTHER WARRANTIES) SHALL APPLY TO THE PRODUCTS.



# SureBuilt Manufacturing

**840 SOUTH 25TH AVE • BELLWOOD IL 60104**

**PHONE 708.493.9569 • FAX 708.493.9601**

**WWW.SUREBUILT-USA.COM**